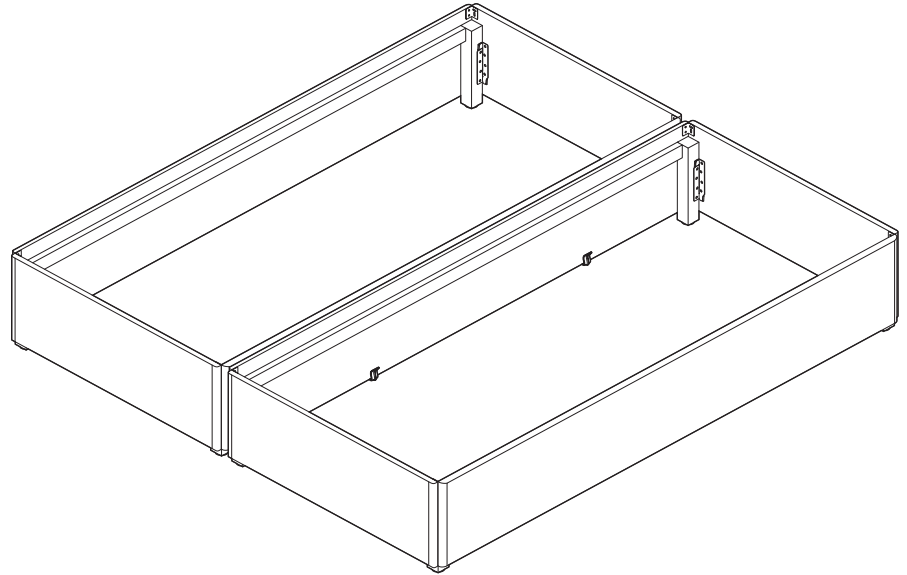
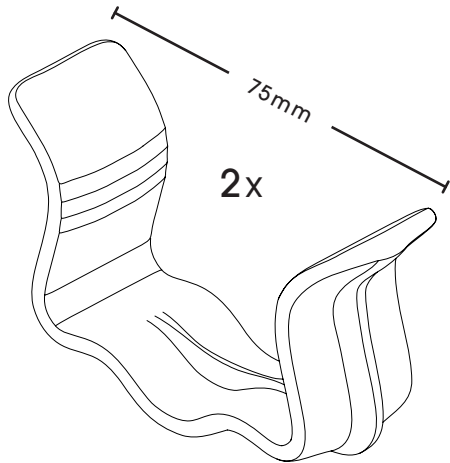
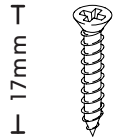


TWIN BASE GUIDE

16x



FOLLOW PAGES 6 - 11 TO ASSEMBLE BOTH BASES

INSTALLATION GUIDE *NOT TO SCALE

